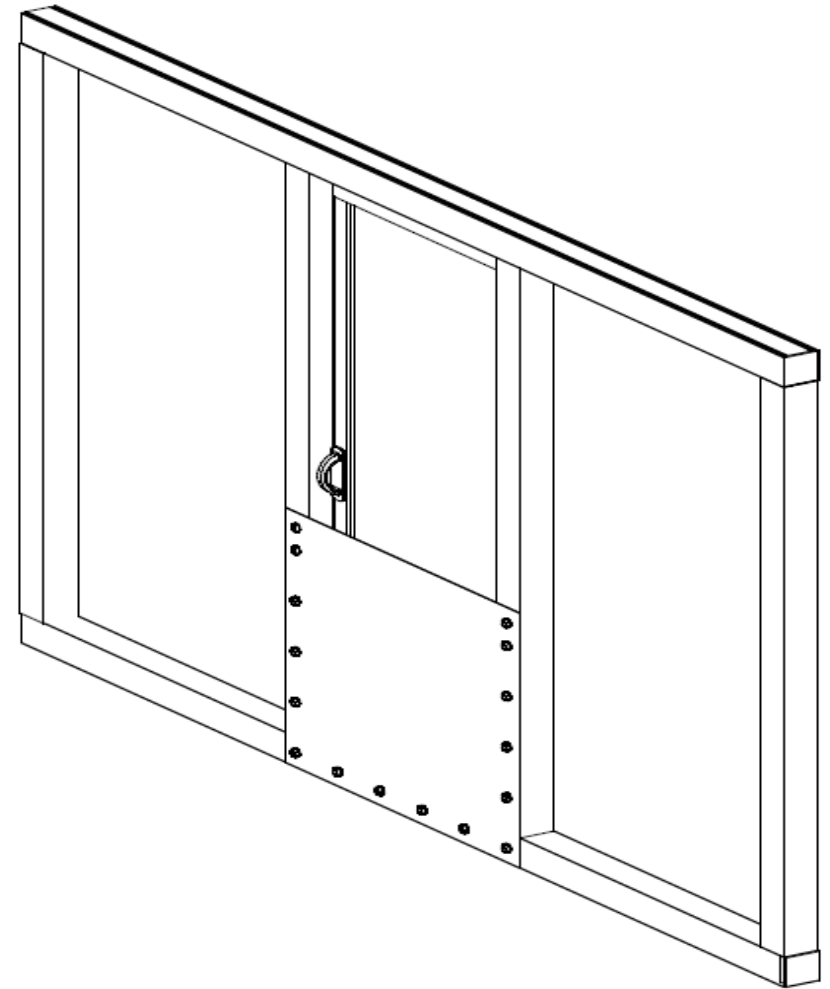
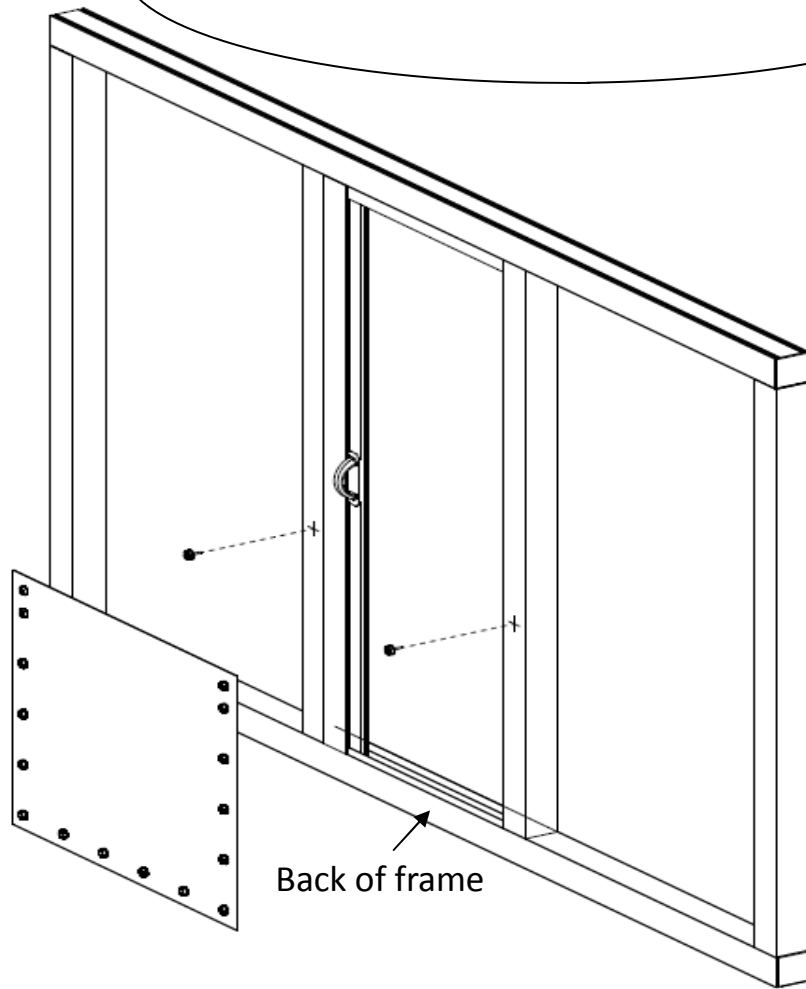


Pet Keeper Installation



1. Measure up 33-1/8" from the bottom of frame and place a mark centered on vertical members. Screw in male portion of snaps using #2 phillips driver.

2. Snap the Pet Keeper on to the two male snaps on frame, this will allow pet keeper to hang while marking the placement of remaining snaps. When all snap locations are marked, remove the Pet Keeper and install male snaps.